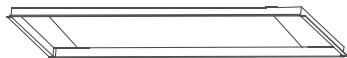
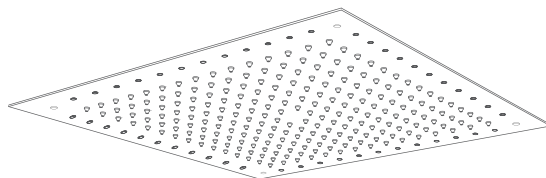
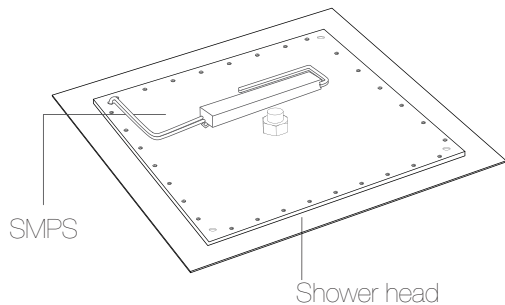


LED & SQUARE
BUILT-IN
QUICK
GUIDE BOOK

LED Description

Check all the parts with the following parts list



Bracket

LS420

LS470



Bolt



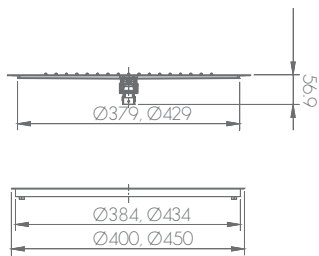
Ring



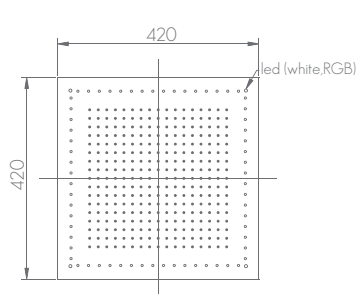
Wire

X4

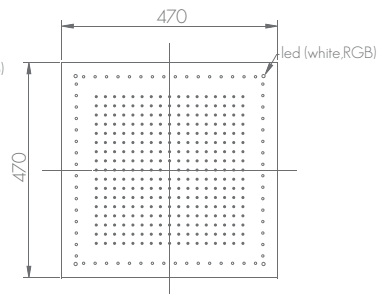
Dimension



Side



LRB420.002.CR



LRB470.002.CR

LED&Square built-in

• Code	LS420.002.CR	LS470.002.CR
• Size	Ø420	Ø470
• Finish	Cr painting	
• Origin	JoeyforLife/Korea	

LED Power supply

White Light

LED x 0.23W with 12V Power Supply (SMPS)
without Controller, connecting to AC 100-240V, 50-60Hz

Chromo therapy (RGB)

LED x 0.23W with 12V Power Supply (SMPS)
Including Controller, connecting to AC 100-240V, 50-60Hz

Color variation

Mono color (RGB)



Chromo therapy



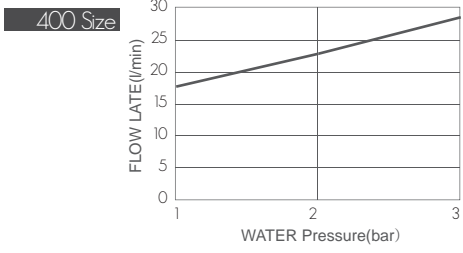
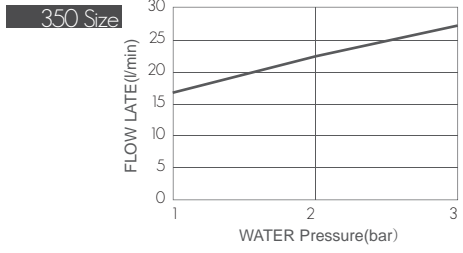
>LED On/Off

- Switch
- Sensor by water pressure
- Remote control

Flow Rate

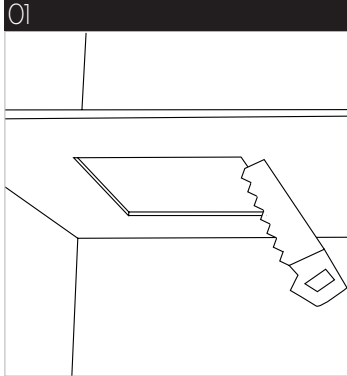
water pressure	Square420(l/min)	Square470(l/min)
1 bar	17.4	17.5
2 bar	22.5	22.9
3 bar	27	28.6

* Direct Connection Without tap

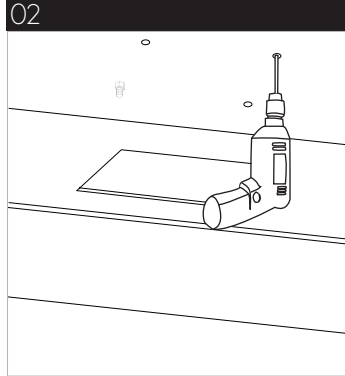


Installation

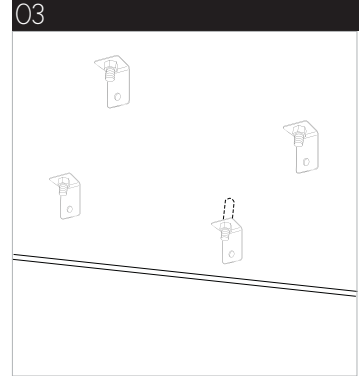
STEP1 _ Bracket



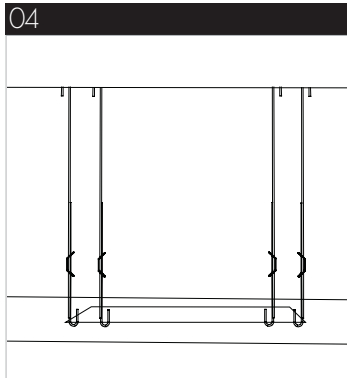
Cut the ceiling to install bracket.
-LS420.002.CR: □384~400
-LS470.002.CR: □434~450



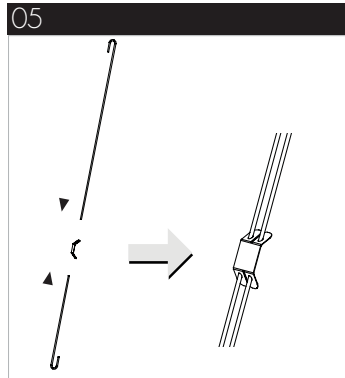
Drill the upper ceiling $\varnothing 12$ for anchor bolts
-LS420.002.CR: 4holes for square (300X360mm)
-LS470.002.CR: 4holes for square (350X410mm)



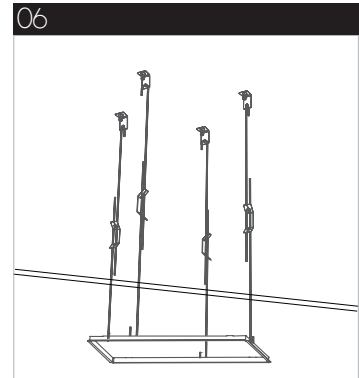
Insert the anchor bolts



Connect rings to the bolts



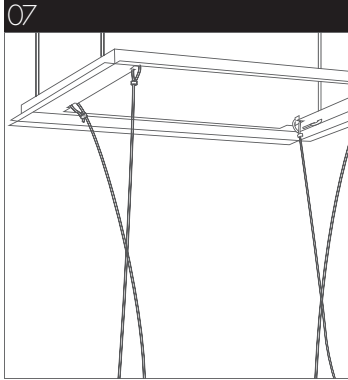
Adjust the lengths of rings



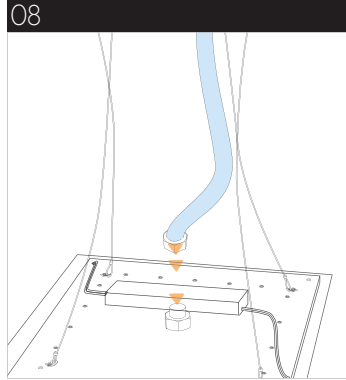
Hang the bracket to the rings

Installation2

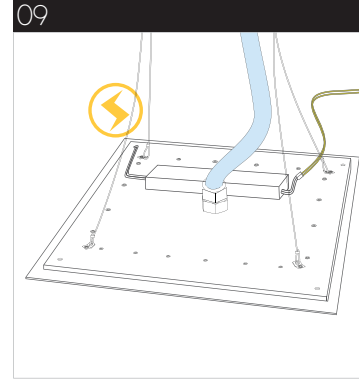
STEP2 _ Head Shower



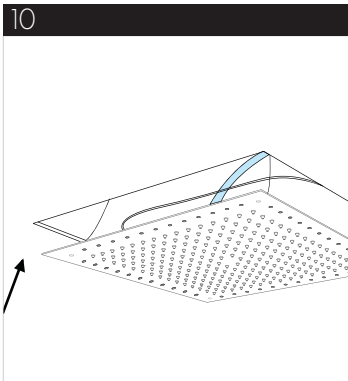
Hang 4wires to bracket



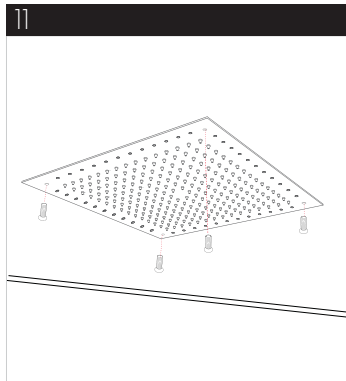
Connect water supply hose to the shower head



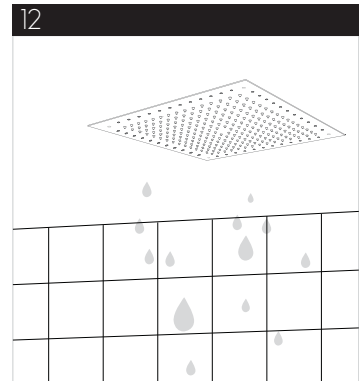
Connect the power supply



Push the shower head to the bracket



Fix the shower head with bolt



Shower